

NovoCyte Penteon 5-laser / 30 channels configuration

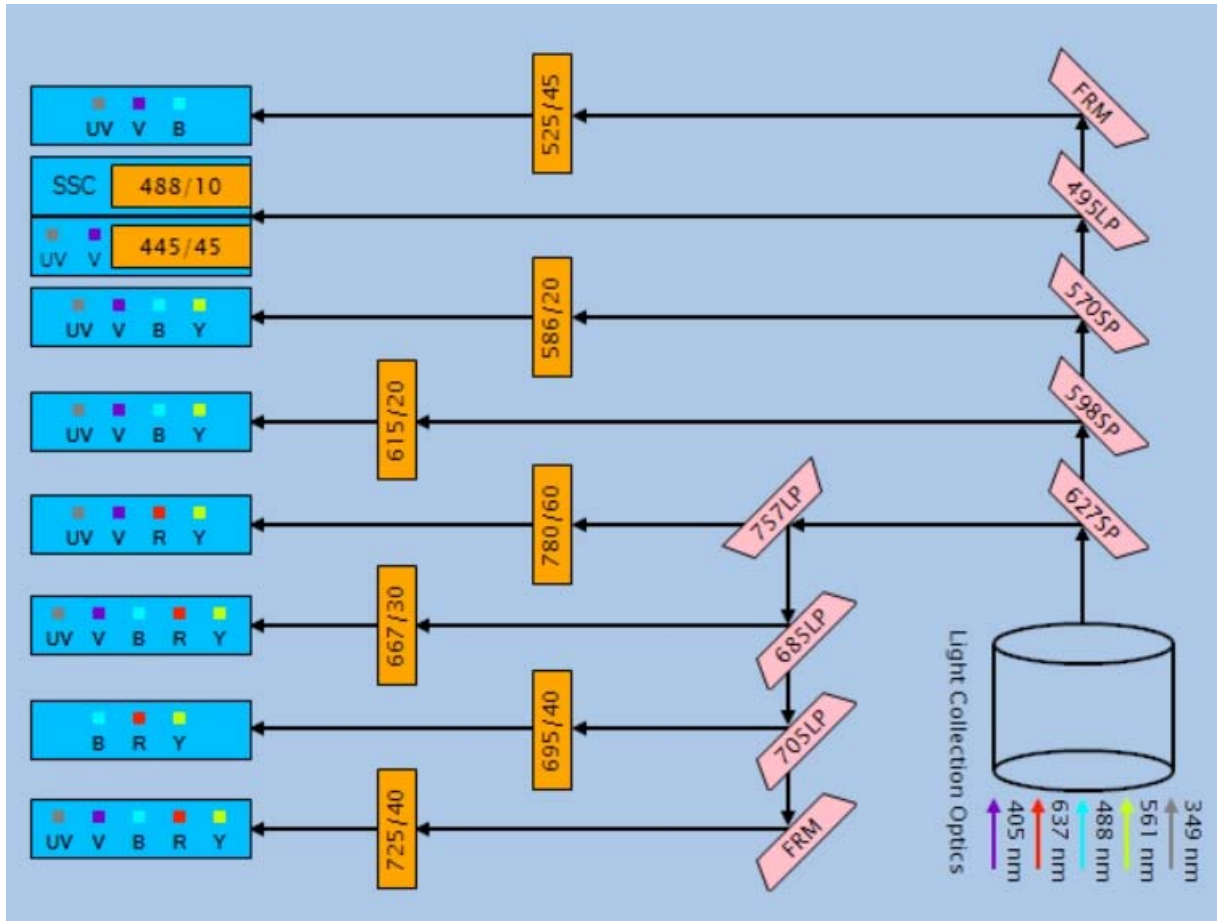


Penteon	UV	V	B	Y	R	
	349	405	488	561	637	
445/45	BUV395*	BV421 / Pacific Blue				
525/45	BUV496	BV510 / AmCyan	FITC			
586/20	BUV563	BV570 / Pacific Orange	EYFP	PE		
615/20	BUV615	BV605 / Qdot 605	PI	PE-Texas Red		
667/30	BUV661	BV650 / Qdot 655	PerCP	PE-Cy5	APC	
695/40			PerCP-Cy5.5	PE-Cy5.5	Alexa Fluor 680	
725/40	BUV737	BV711	PerCP-eFluor 710	PE-Alexa Fluor 700	Alexa Fluor 700	
780/60	BUV805	BV780		PE-Cy7	APC-Cy7/APC-Fire750	
No. of channels	7	7	6	6	4	Total 30

***Caution:** Due to the optical configuration of instrument, 445/45 filter is not optimal for BUV395. For greater success we suggest assigning BUV395 to the abundant markers such as CD4, CD8, CD45 and etc. Please make sure to verify if the populations of interest could be clearly resolved for the marker of interest before finalizing the panel.

NovoCyte Penteon 5-laser / 30 channels configuration

***Caution:** Due to the optical configuration of instrument, 445/45 filter is not optimal for BUV395. For greater success we suggest assigning BUV395 to the abundant markers such as CD4, CD8, CD45 and etc. Please make sure to verify if the populations of interest could be clearly resolved for the marker of interest before finalizing the panel.



Excitation Laser (nm)	Parameter	Emission Filter (nm)	Default Atlas
UV (349nm)	UV445	445/45	BUV395*
	UV525	525/45	BUV496
	UV586	586/20	BUV563
	UV615	615/20	BUV615
	UV667	667/30	BUV661
	UV725	725/40	BUV737
	UV780	780/60	BUV805
Violet (405nm)	V445	445/45	Pacific Blue
	V525	525/45	AmCyan
	V586	586/20	Pacific Orange
	V615	615/20	Qdot 605
	V667	667/30	Qdot 655
	V725	725/40	BV711
Blue (488nm)	B525	525/45	FITC
	B586	586/20	EYFP
	B615	615/20	PI
	B667	667/30	PerCP
	B695	695/40	PerCP-Cy5.5
	B725	725/40	PerCP-eFluor 710
Yellow-Green (561nm)	Y586	586/20	PE
	Y615	615/20	PE-Texas Red
	Y667	667/30	PE-Cy5
	Y695	695/40	PE-Cy5.5
	Y725	725/40	PE-Alexa Fluor 700
Red (637nm)	R780	780/60	PE-Cy7
	R667	667/30	APC
	R695	695/40	Alexa Fluor 680
	R725	725/40	Alexa Fluor 700
	R780	780/60	APC-Cy7