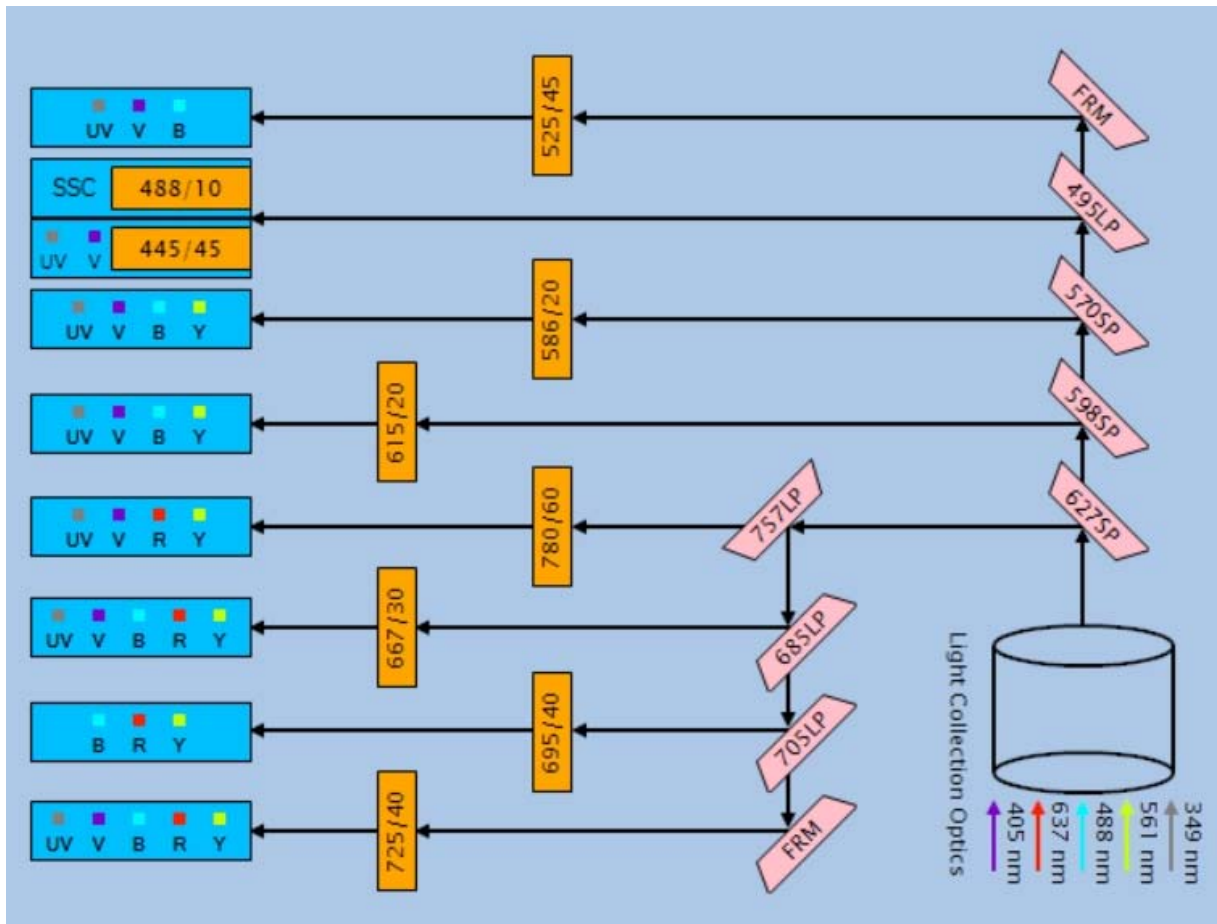


NovoCyte Penteon 5-laser / 30 channels configuration



Penteon	UV	V	B	Y	R	
	349	405	488	561	637	
445/45	BUV395	BV421 / Pacific Blue				
525/45	BUV496	BV510 / AmCyan	FITC			
586/20	BUV563	BV570 / Pacific Orange	EYFP	PE		
615/20	BUV615	BV605 / Qdot 605	PI	PE-Texas Red		
667/30	BUV661	BV650 / Qdot 655	PerCP	PE-Cy5	APC	
695/40			PerCP-Cy5.5	PE-Cy5.5	Alexa Fluor 680	
725/40	BUV737	BV711	PerCP-eFluor 710	PE-Alexa Fluor 700	Alexa Fluor 700	
780/60	BUV805	BV780		PE-Cy7	APC-Cy7/APC-Fire750	
No. of channels	7	7	6	6	4	Total 30

NovoCyte Penteon 5-laser / 30 channels configuration



Excitation Laser (nm)	Parameter	Emission Filter (nm)	Default Atlas
UV (349nm)	UV445	445/45	BUV395
	UV525	525/45	BUV496
	UV586	586/20	BUV563
	UV615	615/20	BUV615
	UV667	667/30	BUV661
	UV725	725/40	BUV737
Violet (405nm)	UV780	780/60	BUV805
	V445	445/45	Pacific Blue
	V525	525/45	AmCyan
	V586	586/20	Pacific Orange
	V615	615/20	Qdot 605
	V667	667/30	Qdot 655
Blue (488nm)	V725	725/40	BV711
	V780	780/60	Qdot 800
	B525	525/45	FITC
	B586	586/20	EYFP
	B615	615/20	PI
	B667	667/30	PerCP
Yellow-Green (561nm)	B695	695/40	PerCP-Cy5.5
	B725	725/40	PerCP-eFluor 710
	Y586	586/20	PE
	Y615	615/20	PE-Texas Red
	Y667	667/30	PE-Cy5
	Y695	695/40	PE-Cy5.5
Red (637nm)	Y725	725/40	PE-Alexa Fluor 700
	Y780	780/60	PE-Cy7
	R667	667/30	APC
	R695	695/40	Alexa Fluor 680
	R725	725/40	Alexa Fluor 700
	R780	780/60	APC-Cy7